

HotDog 5090 & XL5090

HPLC Column Oven Satellite

Increasing performance

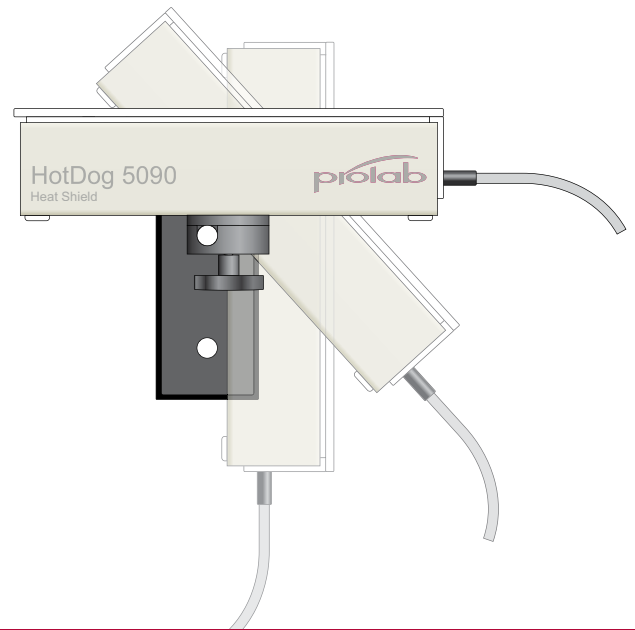


- Simple and fast assembly with unique holding adapters, fits easily into existing systems
- Exact temperature control for highest reproducibility and stability
- Temperatures up to 90°C can significantly reduce back pressure with small particle sizes and accelerates the chromatography
- Fits column lengths up to 250 mm
- Touch screen for manual control and drivers for various software packages

Magfix

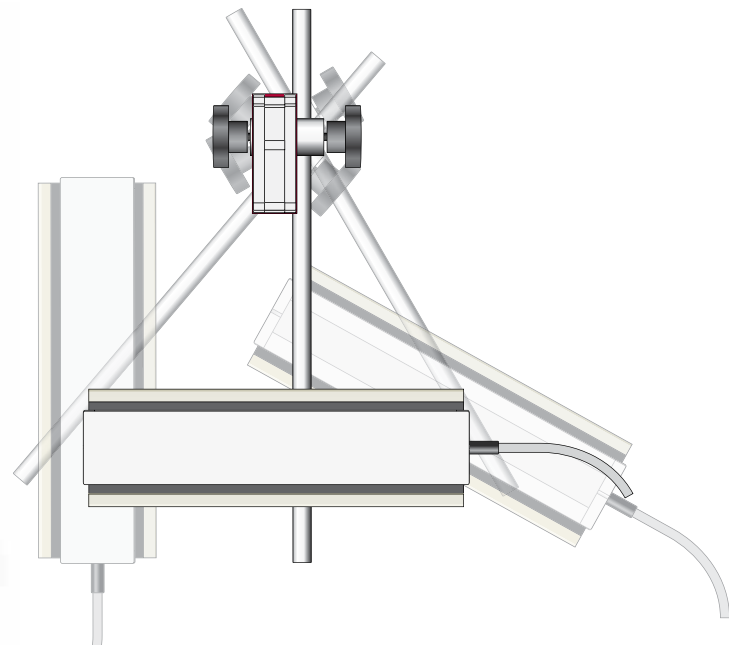
API 4000/5000

Various SCIEX instruments



Hotfix

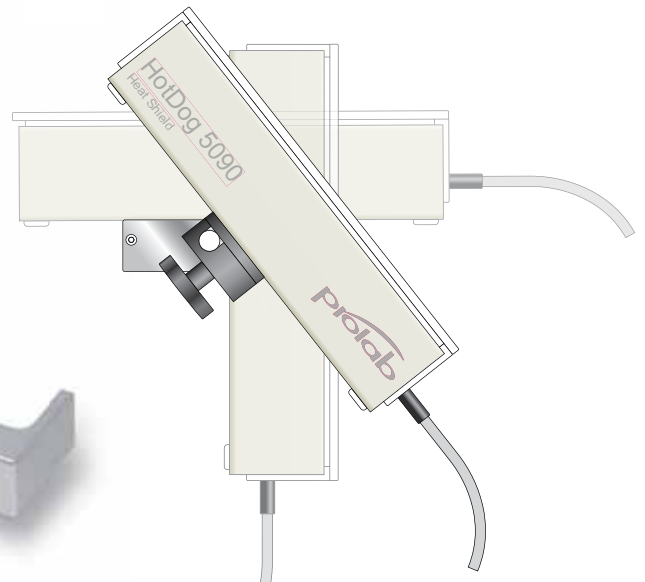
CTC PAL Autosampler

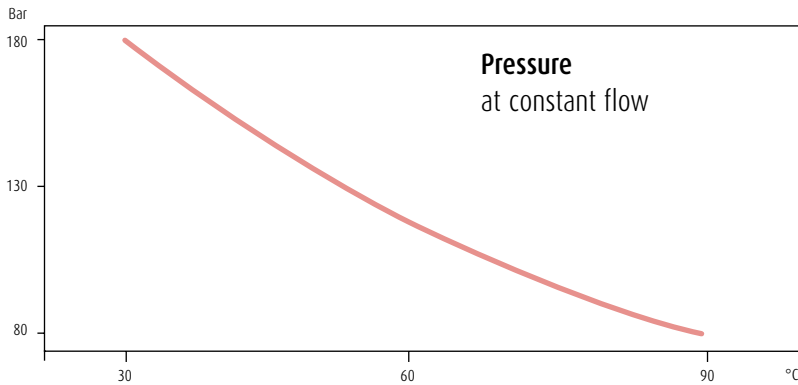


Clampfix

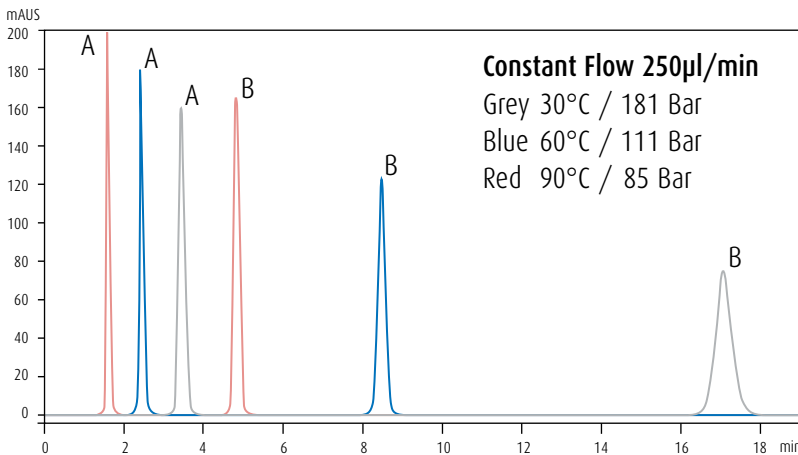
Thermo Fisher

mss spectrometers

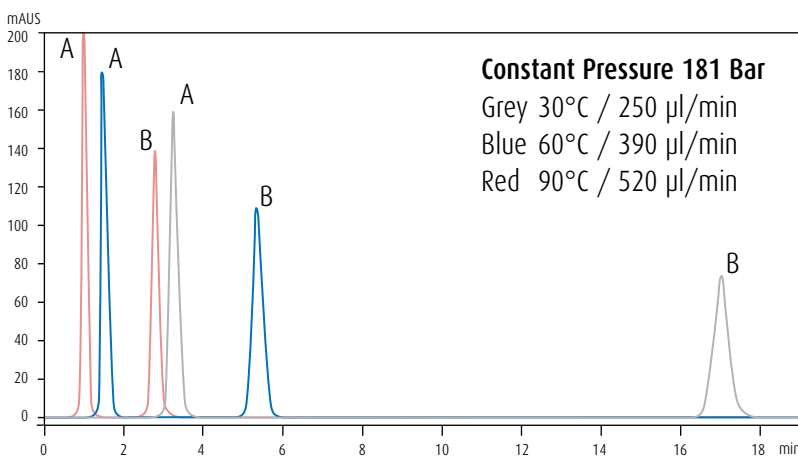




Flow: 250 µl/min
 Column: Phenomenex Luna 2.5 µm C18 (2) HST 2 x 50 mm
 Mobile Phase: 60/40 Methanol/Water
 Temperature: 30/60/90°C
 Pressure: 181/111/85 Bar

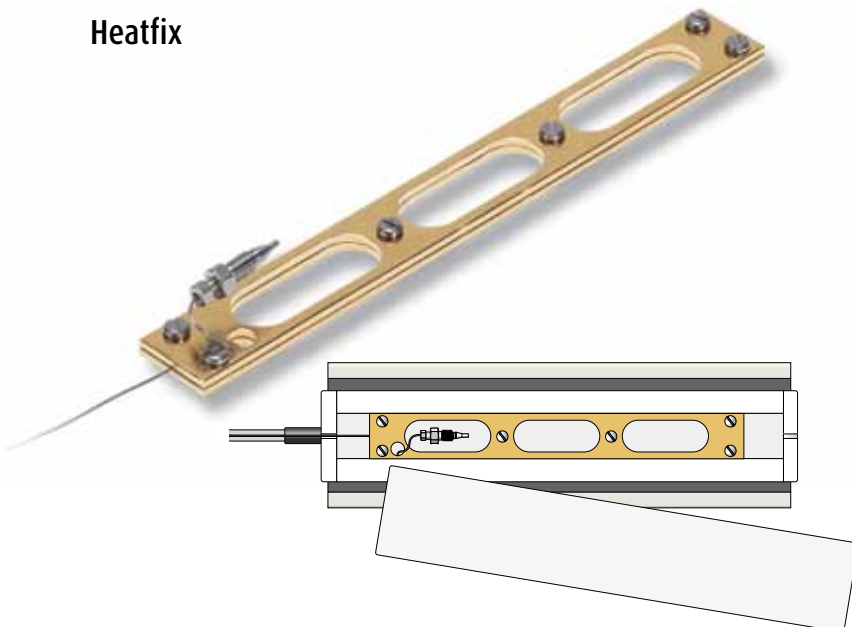


Flow: 250 µl/min
 Column: Phenomenex Luna 2.5 µm C18 (2) HST 2 x 50 mm
 Mobile Phase: 60/40 Methanol/Water
 Sample: A: Toluene
 B: Anthracene
 Wavelength: 254 nm

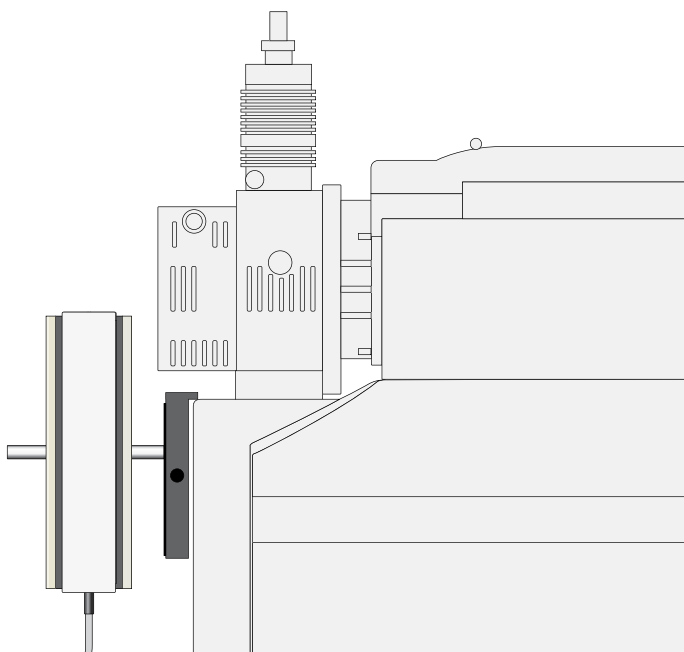


Pressure: 181 Bar
 Column: Phenomenex Luna 2.5 µm C18 (2) HST 2 x 50 mm
 Mobile Phase: 60/40 Methanol/Water
 Sample: A: Toluene
 B: Anthracene
 Wavelength: 254 nm

Heatfix

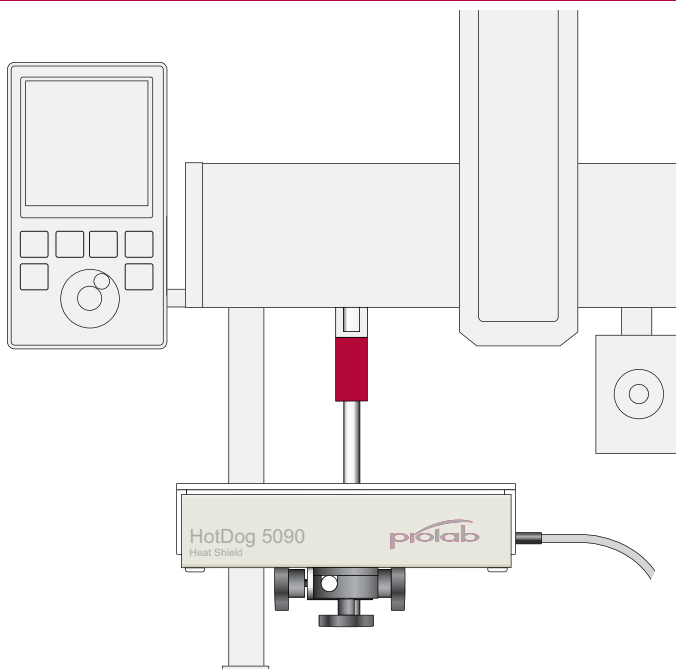


The Heatfix heat exchanger can be used as a connection / transfer line between injection port and column. The Heatfix 5090 consists of two gilded copper plates which are placed inside the column compartment. A stainless steel capillary feeding through these two plates preheats the HPLC solvents, thereby reducing radial and axial temperature gradients inside the HPLC column. The Heatfix 5090's biggest improvements are evident at longer gradients and higher temperature.



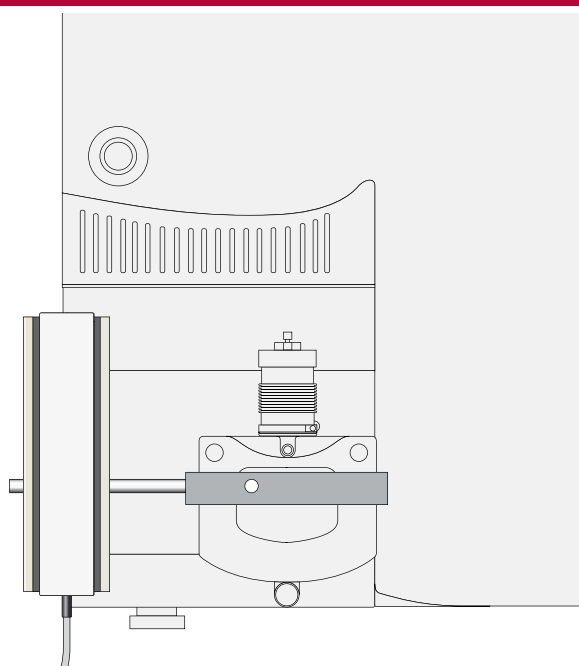
Magfix 5090

The Magfix 5090 is designed as the Hotdog 5090 column oven holder for magnetizable housings. The Magfix 5090 is specially designed for attaching the Hotdog 5090 column oven to Applied Biosystems|MDS SCIEX mass spectrometers (API 3200™, API 4000™, API 5000™ and QTrap™ instruments).



Hotfix 5090

The Hotfix 5090 serves as the Hotdog 5090's holder for the CTC PAL autosampler and can be mounted close to the injection port to reduce the length of connection / transfer lines.



Clampfix 5090

The Clampfix 5090 is for mounting the Hotdog 5090 column oven on certain Thermo Fisher Scientific mass spectrometer ion sources (MS-W133 mm).

Specifications

Hotdog 5090 column oven dimensions: 212 mm x 40 mm x 46 mm
Hotdog 5090 column oven dimensions with mounted heat shield: 212 mm x 62 mm x 52 mm
Thermostated column compartment: 200 mm x 21 mm x 21 mm
Hotdog 5090XL column oven dimensions: 312 mm x 40 mm x 46 mm
Hotdog 5090 column oven dimensions with mounted heat shield: 312 mm x 62 mm x 52 mm
Thermostated column compartment: 300 mm x 21 mm x 21 mm
Weight including heat shield: 1.05 kg
Remote control by LAN or serial port
Power supply (110 VAC to 240 VAC)
Temperature control: ambient to 90°C in 0.1°C increments, stability +/- 0.1°C

Options

Hotfix 5090	Adapter to CTC PAL® autosampler
Magfix 5090	Adapter to Applied Biosystems MDS SCIEX mass spectrometers (API 3200™, API 4000™, API 4000™ and QTrap™ instruments)
Clampfix 5090	Adapter to Thermo Fisher Scientific mass spectrometers (MS-W133 mm)
Softfix 5090	Software package (standalone software for Windows™, software driver for MDS Sciex Analyst™ and Thermo Fisher Scientific XCalibur™)
Heatfix 5090 ST	Heat exchanger, standard volume (50 µl)
Heatfix 5090 LV	Heat exchanger, low volume (13 µl)
Heatfix spare parts:	1/32" OD stainless steel tubing Valco Vici p/n T100N10D (50 µl) Valco Vici p/n T100N5D (13 µl) Fitting 1/16" to 1/32" Valco Vici p/n IZR1.5ST

HotDog 5090 and 5090 XL

In the standard package, the Hotdog 5090 column oven is delivered with the heat shield, touch screen controller and power supply.

When using the Hotdog 5090 column oven at temperatures above 50°C, it is necessary to take the safety precaution of putting the column oven inside the heat shield.

The touch screen controller allows easy and fast changing of settings. A default temperature can be specified and will be applied during powering on. Standby temperature and standby time can be adjusted as well.

The optional software package Softfix 5090 includes a standalone version (Windows™ compatible) and drivers for Analyst™ and XCalibur™. In addition, the interface software parameters for remote control are included in the manual and freely available.

The Hotdog 5090 consists of:
Column oven, heat shield, touch screen controller and power supply (110 VAC to 240 VAC).

Hotdog Price List

HotDog 5090	Column oven Heat shield Power supply Touch controller 5090	CHF 3980
HotDog 5090XL	Column oven Heat shield Power supply Touch controller 5090	CHF 4180

Accessories Price list

Hotfix5090	HotDog adapter for CTC PAL autosampler	CHF 680
Magfix 5090	HotDog magnet adapter (API 4000/5000, various SCIEX instruments)	CHF 520
Clampfix 5090	HotDog adapter for Thermo Fisher mass spectrometers	CHF 460
Heatfix 5090	Standard 50µl incl. tubing and fittings	CHF 560
Heatfix 5090-LV	Low volume 13µl incl. tubing and fittings	CHF 560
Softfix 5090	Remote software Xcaliber™, Analyst™, standalone	CHF 370

For the full Prolab product range go to: www.prolab.ch